



INNOVATIVE SEATING SOLUTIONS



BAHN | SPECIAL SEATS

KL 410/440

Functional design and
versatility on trains



WWW.KIEL-SEATING.COM

KL 410/440

A FOLDING SEAT THAT IS FUNCTIONAL AND VERSATILE!

The multi-purpose KL410 / 440 folding seat was designed especially for use in trains and trams. It can be used to provide additional seating, while its space-saving construction, with relatively thin seat and back sections, can increase the available floor space to facilitate the accommodation of pushchairs, wheelchairs or walker frames.

This is all achieved without sacrificing seating comfort, as the KL 410 / 440 folding seat complies with the latest ergonomic design guidelines.

A range of optional extras is available for this model, such as a leaning aid, an extended back, or seat damping, to maximise its functionality and versatility.

SPACE-SAVING



ERGONOMIC



VERSATILE



KL 410/440

PRODUCT FEATURES

PRODUCT FEATURES

- Metal body, welded construction; powder-coated
- Quick-change upholstery supports
- Seat and back sections made of high-quality, flame-retardant moulded foam
- Wall-mounted to customer-provided stay bolt in side wall of vehicle (rail)
- Bottom cladding for seat upholstery made of powder-coated sheet steel
- Spring-loaded seat hinge mechanism; normal seat position: folded upward
- Seats can be arranged in gapless rows
- Seat completely ready to install



PRODUCT OVERVIEW

PRODUCT OVERVIEW	KL 410	KL 440
SEAT TYPES		
Single seat	■	■
DIMENSIONS		
Single seat width	410 mm	440 mm
Cushion wide	380 mm	420 mm
Cushion depth	410 mm	430 mm
SPECIAL VERSIONS		
Seat cushion damping	<input type="checkbox"/>	<input type="checkbox"/>
Lock down option	<input type="checkbox"/>	<input type="checkbox"/>
Leaning aid	<input type="checkbox"/>	<input type="checkbox"/>
Holding eyelet on rear upholstery	<input type="checkbox"/>	<input type="checkbox"/>
Bicycle strap and eyelet	<input type="checkbox"/>	<input type="checkbox"/>
Higher back cushion	<input type="checkbox"/>	<input type="checkbox"/>
Integrated emergency-call button	<input type="checkbox"/>	<input type="checkbox"/>
Hands-free communication ready	<input type="checkbox"/>	<input type="checkbox"/>
Wall connection	■	■
Pedestal connection	<input type="checkbox"/>	<input type="checkbox"/>
WEIGHT		
Single seat (standard version)	13,7kg	15,2kg
WEIGHT		
foldable	■	■
GESETZLICHE NORMEN		
EN 45545		
Full fills the static and dynamic requirements of GRULA SI		

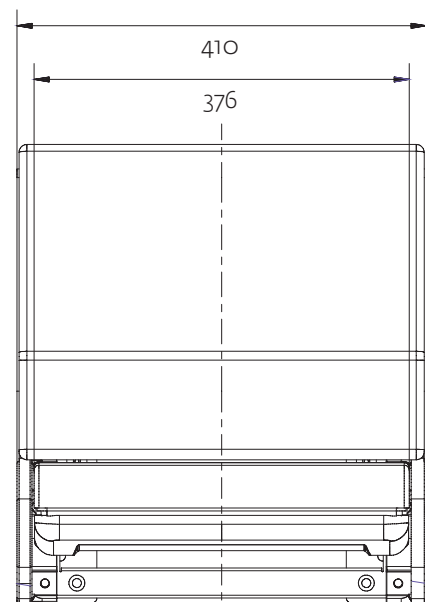
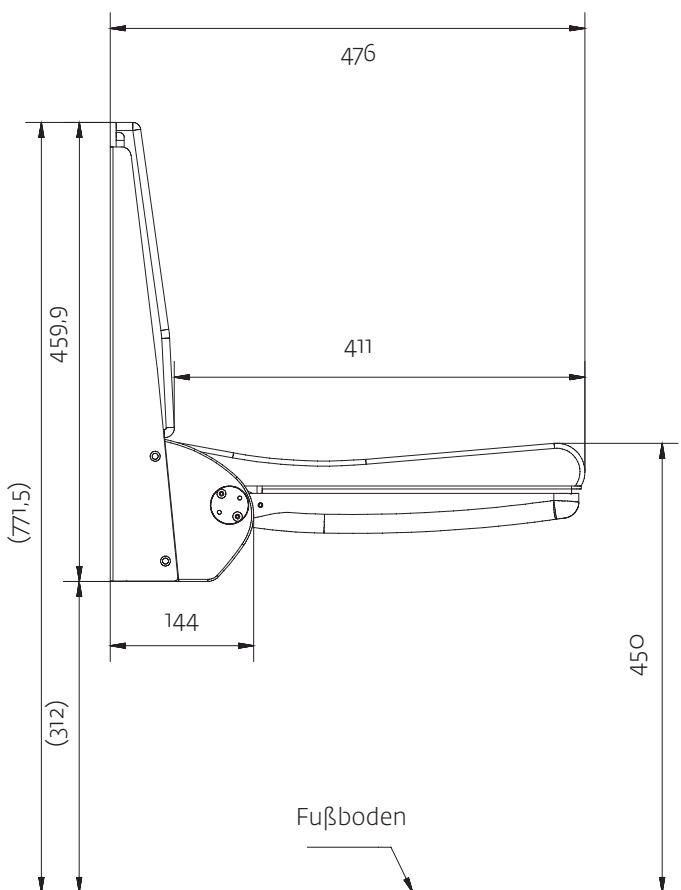
STANDARD ■ OPTION □



KL 410/440

FUNCTIONAL AND FUTURE-PROOF TO MEASURE

KL 410



FUNCTIONAL AND FUTURE-PROOF TO MEASURE

KL 440

