

# Comfortline Train

**Intercity transport |**  
luxurious + sophisticated  
+ ultramodern



# Comfortline

luxurious + sophisticated + ultramodern



The **COMFORTLINE** seat is a special development for intercity trains. The ultramodern and demanding design compliments the **COMFORTLINE** seat. The ergonomically formed seat provides an unparalleled level of comfort. On the basis of a unique technological concept the **COMFORTLINE** seat features a wide functionality.

#### PRODUCT FEATURES AND ADVANTAGES:

- Modular system that adapts to different requirements
- a range of varieties and first-rate optional extras
- with new functionality: electronic seat adjustment
- excellent seat comfort

#### Back- and seat cushion angle adjustment manual or motor-operated



The ultramodern Comfortline seat provides comfort in design and upholstery. the contoured head rest provides a shielded area, therefore the perfect rest place. The excellent accessories of the seat, adjustable footrest, foldable table, flexible LED-reading lamp, seat cushion angle adjustment, supporting spring and small shelf provide a comfortable environment for long travel periods.

# Comfortline Variants



470 MM SEAT WIDTH



470 MM SEAT WIDTH BACK SIDE



450 MM SEAT WIDTH



450 MM SEAT WIDTH BACK SIDE

# Comfortline Accessoires



Functional compartment incl.  
power socket



Magazine net



Adjustable footrest



Foldable side armrests



Foldable middle armrest



Foldable table on back  
with cup space



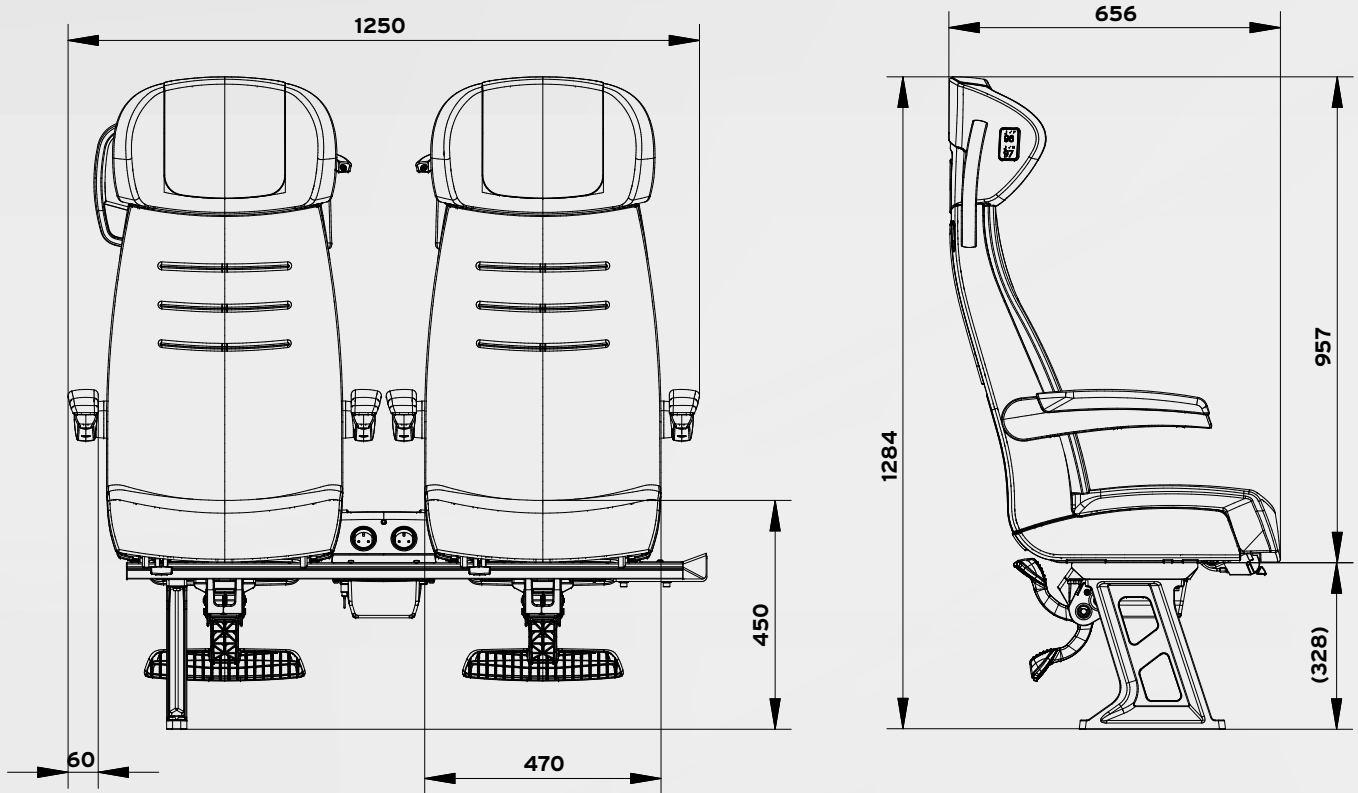
Small shelf



Flexible LED reading  
lamp

# Comfortline

## Dimensions (exemplary)



# Comfortline

## Product overview

### SEAT TYPES

Single seat	<input checked="" type="checkbox"/>
Double seat	<input checked="" type="checkbox"/>
Back to back seating	<input type="checkbox"/>
3-seater combination	<input type="checkbox"/>

### DIMENSIONS

Seat width (available width between the armrests)	450-550 mm
---	------------

### FUNCTIONS

Fixed backrest	<input checked="" type="checkbox"/>
Back- and seat cushion angle adjustment (manual or motor-operated)	<input checked="" type="checkbox"/>

### ARMREST

Foldable armrest, aisle side	<input checked="" type="checkbox"/>
Foldable armrest, centered	<input checked="" type="checkbox"/>
Fixed armrest, aisle side	<input checked="" type="checkbox"/>
Fixed armrest, wall side	<input checked="" type="checkbox"/>
Fixed armrest, centered	<input checked="" type="checkbox"/>

### GRAB HANDLE

Grab handle on aisle side	<input type="checkbox"/>
---------------------------	--------------------------

### FURTHER ACCESSORIES

Foldable table on back with cup space	<input type="checkbox"/>
Small shelf	<input type="checkbox"/>
Adjustable footrest	<input type="checkbox"/>
Magazine net	<input type="checkbox"/>
Waste bin	<input type="checkbox"/>
Flexible LED reading lamp	<input type="checkbox"/>
Functional compartment incl. power socket	<input type="checkbox"/>
Cantilever fixation	<input type="checkbox"/>
USB-loading possibility	<input type="checkbox"/>
Display for seat reservation	<input type="checkbox"/>

### WEIGHT

Double seat (standard version)	ca. 44,00 kg
--------------------------------	--------------

Compliant with legal requirements:

**UIC 566 | Grula DB**

**EN 45545 | GOST**

standard     optional