

Culta Train

Long-distance travel |
the lightest in its class



Culta

the lightest in its class

With the unique fully magnesium frame construction of the CULTA seat we are setting new standards. The innovative connection technology of the seat frames is has been crash tested according to Unife. This makes the CULTA the lightest train seat in the world and also offers a wide variety of installation possibilities.

The ergonomic shape of the CULTA provides maximum travel comfort. In addition, the seat is adjustable, has a foldaway table and an adjustable foot rest. Highlights include the adjustable head cushions with distinct head rests: They give the traveller a shielded, protected space - for optimum relaxation on long journeys. The modular kit system of the CULTA makes replacing components quick and cost-effective. In addition, the seat can therefore be adjusted optimally to individual needs.

CULTA is available in comfort variants for 1st and 2nd class.



CULTA
1st class



CULTA
2nd class

PRODUCT FEATURES AND ADVANTAGES:

- innovative connection technology
- lightest train seat worldwide
- maximum sitting comfort
- modular kit system
- comfort variants for 1st and 2nd class

Culta

1st class | Funktionen

HANDLE

- aisle side

BACK AND SITTING ANGLE ADJUSTMENT

FOLDABLE ARM REST

- aisle side | centre

BACK FOLDING TABLE

- optional
- with cup holder

ADJUSTABLE FOOT REST

- optional



Culta

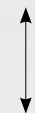
2nd class | Funktionen

HANDLE

- aisle side



BACK AND SITTING ANGLE ADJUSTMENT



FOLDABLE ARM REST

- aisle side | centre

BACK FOLDING TABLE

- optional
- with cup holder

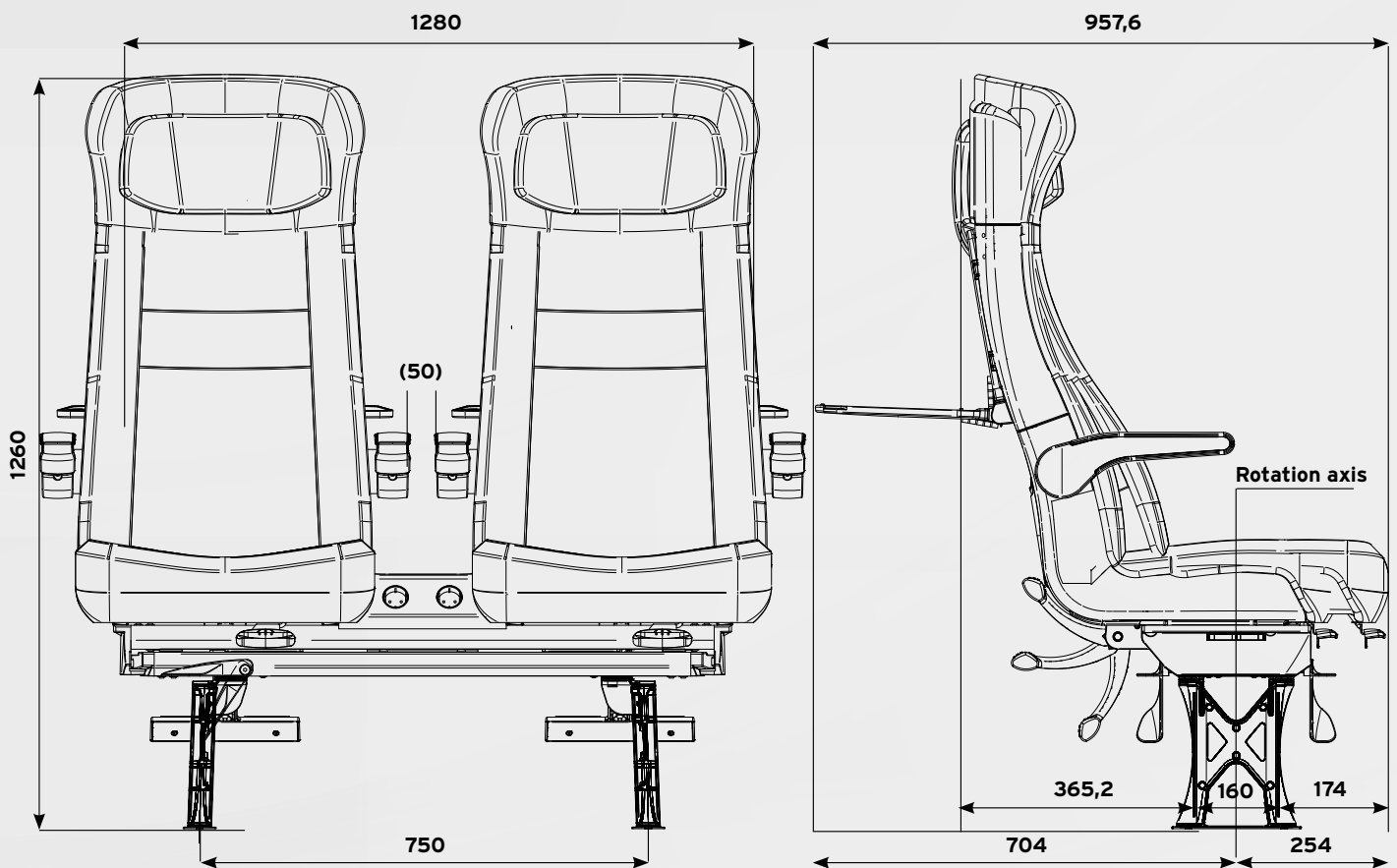


ADJUSTABLE FOOT REST

- optional

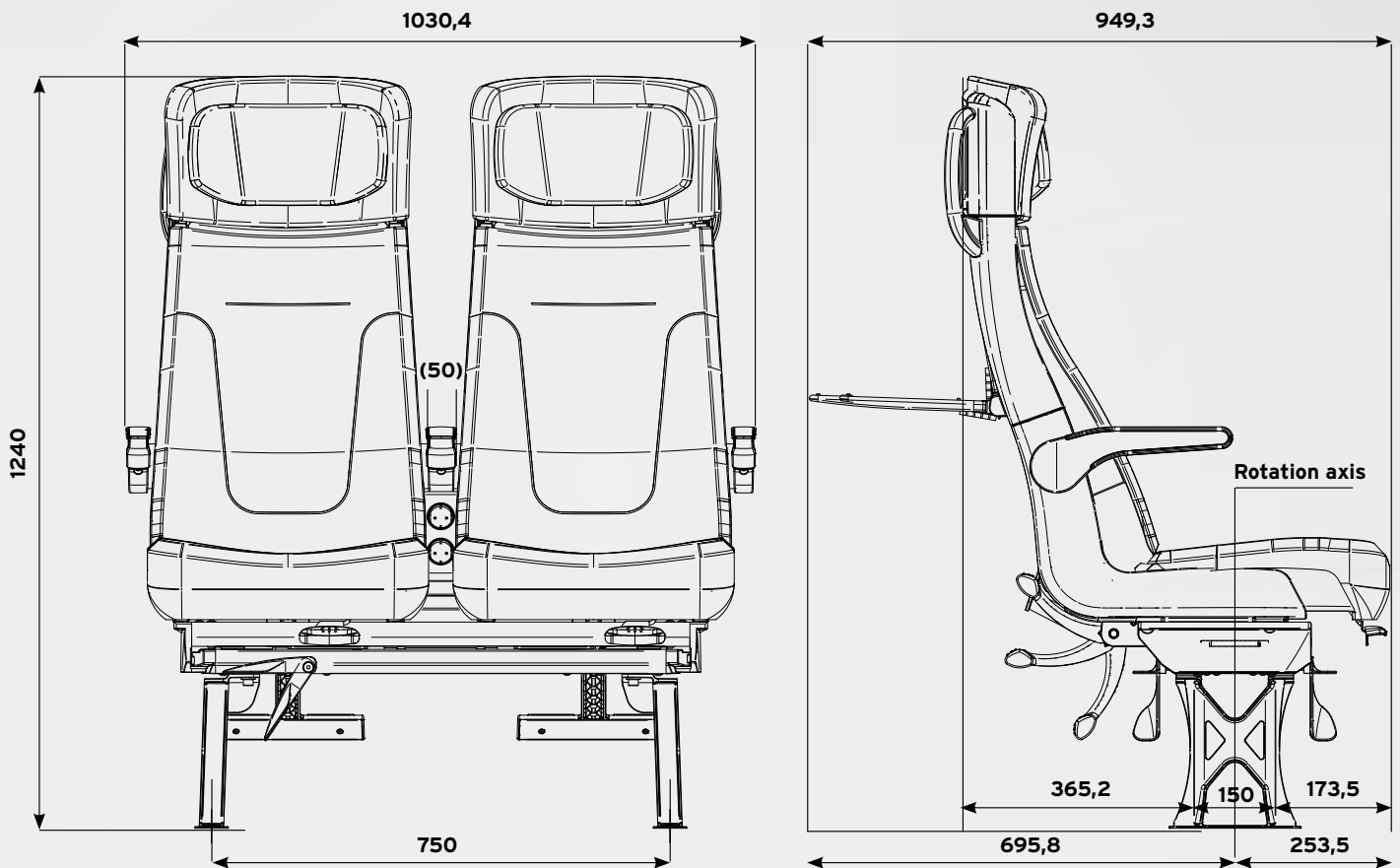
Culta

1st class | Dismensions (exemplary)



Culta

2nd class | Dismensions (exemplary)



Culta

Product overview

CLASSIFICATION	1st class	2nd class
Single seat	<input checked="" type="checkbox"/>	<input checked="" type="checkbox"/>
Double seat	<input checked="" type="checkbox"/>	<input checked="" type="checkbox"/>
Facing double seat	<input type="checkbox"/>	<input type="checkbox"/>
Triple seat combination	<input type="checkbox"/>	<input type="checkbox"/>
DIMENSIONS		
Seat width	470 mm	450 mm
FUNCTIONS		
Back and sitting angle adjustment	<input checked="" type="checkbox"/>	<input checked="" type="checkbox"/>
ARM REST		
Foldable arm rest, aisle side	<input checked="" type="checkbox"/>	<input checked="" type="checkbox"/>
Foldable arm rest, centre	<input checked="" type="checkbox"/>	<input checked="" type="checkbox"/>
Fixed arm rest, wall side	<input checked="" type="checkbox"/>	<input checked="" type="checkbox"/>
HANDLE		
Handle, aisle side	<input type="checkbox"/>	<input type="checkbox"/>
OTHER ACCESSORIES		
Back folding table with cup holder	<input type="checkbox"/>	<input type="checkbox"/>
Foot rest adjustable	<input type="checkbox"/>	<input type="checkbox"/>
Newspaper net	<input type="checkbox"/>	<input type="checkbox"/>
Bin	<input type="checkbox"/>	<input type="checkbox"/>
Functional centre console with socket	<input type="checkbox"/>	<input type="checkbox"/>
Cantilever fastening	<input type="checkbox"/>	n/a
USB charging possibility	<input type="checkbox"/>	<input type="checkbox"/>
Display for seat reservation	<input type="checkbox"/>	<input type="checkbox"/>
WEIGHT		
Double seat	approx. 33,3 kg	approx. 29,5 kg

standard
 optional
 n/a not available

Compliant with legal requirements:
UIC 566 | EN 45545