

Edgeline Regio Train

Regional transport |
versatile + shapely



Edgeline Regio

versatile + shapely

The EDGELINE in the variants WIDE and SLIM is a module seating system that has been developed specially for use in regional trains (1st and 2nd class) in European countries.

The EDGELINE is characterised by its shapeliness and the design with edges, bevels and parallels. Optional fitted components such as handles, tables and arm rests fit harmoniously into the appearance. The lean design of the EDGELINE allows optimal use of the space, thereby ensuring efficient seating - with maximum comfort for the passenger.



EDGELINE WIDE
1st class



EDGELINE SLIM
2nd class

PRODUCT FEATURES AND ADVANTAGES:

- futuristic design with edges, bevels and parallels for a modern atmosphere in the train
- two-part upholstery design with quick-change system considerably reduces maintenance costs
- crash-proof
- fireproof thanks to metal structure
- long-lasting and robust
- high modularity: special inserts between the seats allow the seamless arrangement of rows of seats and additional protection at the back
- excellent cost-benefit ratio

Edgeline Regio wide 1st class | Functions

HANDLE

- aisle side

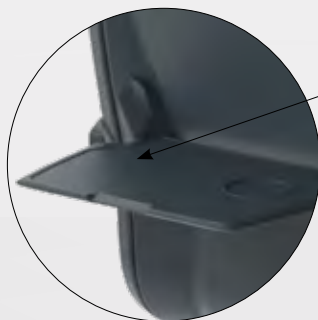


USB-PORT

- optional

BACK FOLDING TABLE

- with cup holder
- optional



Edgeline Regio slim

2nd class | Functions

HANDLE

- aisle side

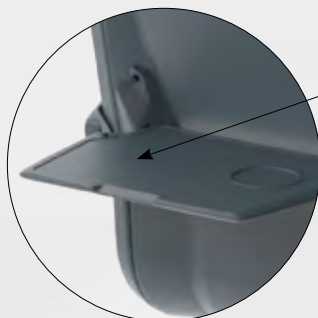


USB-PORT

- optional

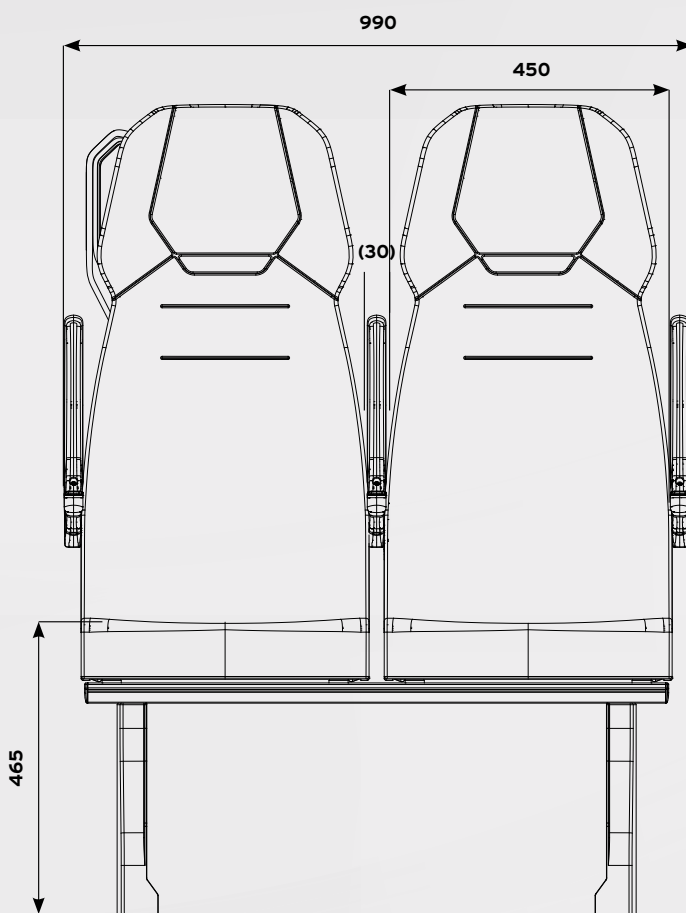
BACK FOLDING TABLE

- with cup holder
- optional



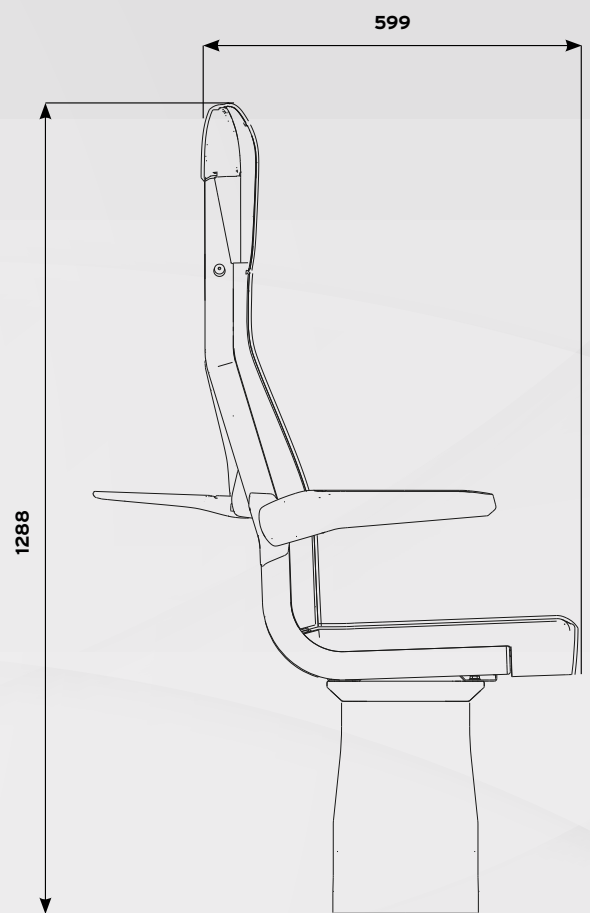
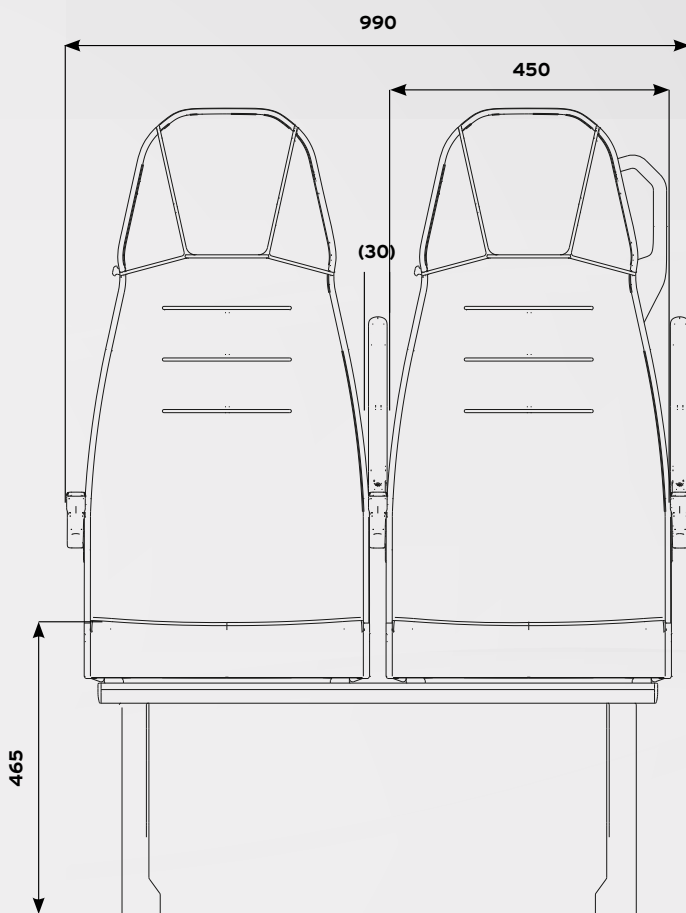
Edgeline Regio wide

1st class | Dimensions (exemplary)



Edgeline Regio slim

2nd class | Dimensions (exemplary)



Edgeline Regio

Product overview

CLASSIFICATION	WIDE 1ST CLASS	SLIM 2ND CLASS
Single seat	<input type="checkbox"/>	<input type="checkbox"/>
Double seat	<input checked="" type="checkbox"/>	<input checked="" type="checkbox"/>
Facing double seat	<input type="checkbox"/>	<input type="checkbox"/>
Triple seat combination	<input type="checkbox"/>	<input type="checkbox"/>
DIMENSIONS		
Single seat width	450 mm	450 mm
FUNCTIONS		
Fixed back rest	<input checked="" type="checkbox"/>	<input checked="" type="checkbox"/>
Back adjustment	n/a	n/a
ARM REST		
Foldable arm rest, aisle side	n/a	n/a
Foldable arm rest, wall side	n/a	n/a
Foldable arm rest, centre	n/a	n/a
Fixed arm rest, aisle side	<input type="checkbox"/>	<input type="checkbox"/>
Fixed arm rest, wall side	<input type="checkbox"/>	<input type="checkbox"/>
HANDLE		
Handle, aisle side	<input checked="" type="checkbox"/>	<input checked="" type="checkbox"/>
OTHER ACCESSORIES		
Back folding table with cup holder	<input type="checkbox"/>	<input type="checkbox"/>
Adjustable foot rest	n/a	n/a
Smart fix	<input type="checkbox"/>	<input type="checkbox"/>
Foot-wall fastening	<input type="checkbox"/>	<input type="checkbox"/>
Cantilever fastening	<input type="checkbox"/>	<input type="checkbox"/>
USB port	<input type="checkbox"/>	<input type="checkbox"/>
WEIGHT		
Double seat (standard version)	approx. 26 kg	approx. 26 kg

standard
 optional
 n/a not available