

# Lihok Bahn

**Intercity transport** |  
luxurious + elegant



# Lihok

## luxurious + elegant

**The LIHOK seat has been specially designed for use in long-distance trains. The model catches the eye with its modern, elegant appearance that is determined entirely from the natural wood material. Every component and design detail of this comfortable train seat impresses thanks to its high-end quality. The passenger enjoys it with all their senses.**

Material, features and layout of the LIHOK perfectly fulfil the high expectations that today's passengers have for the interior design of means of transport. The wide seats and back rests ensure free movement and an especially high level of comfort. With regards to the seat, back rest and head rest upholstery, customer's wishes can be fulfilled easily and cost-effectively. This gives, the vehicle interior gets an individual and passenger-orientated appearance.



### **PRODUCT FEATURES AND ADVANTAGES:**

- elegant, luxurious design
- natural materials
- maximum sitting comfort
- modular kit system
- high-end quality

# Lihok

## Funktionen

### HANDLE

- optional
- aisle side

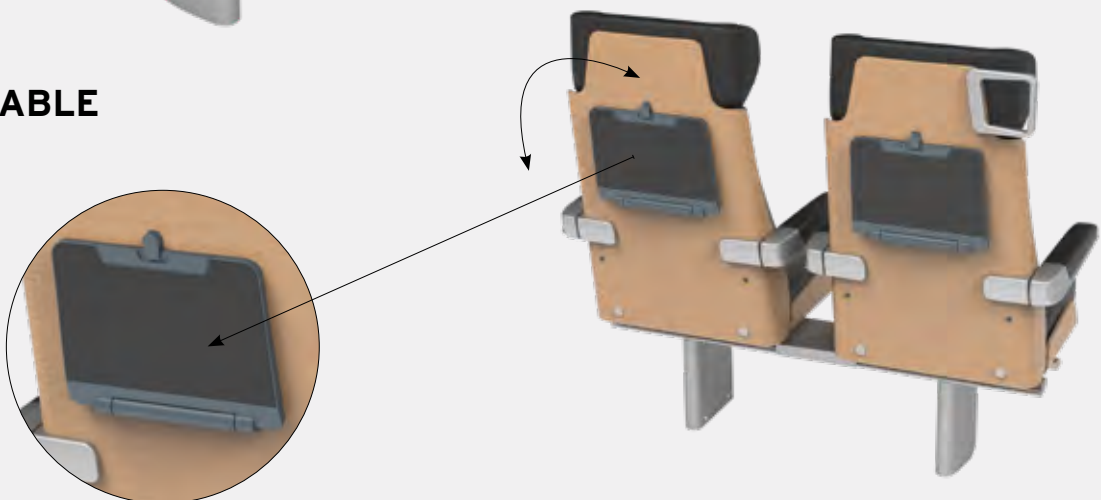


**BACK AND  
SITTING ANGLE  
ADJUSTMENT**

↑  
↓ **FOLDABLE  
ARM REST**  
• aisle side | centre

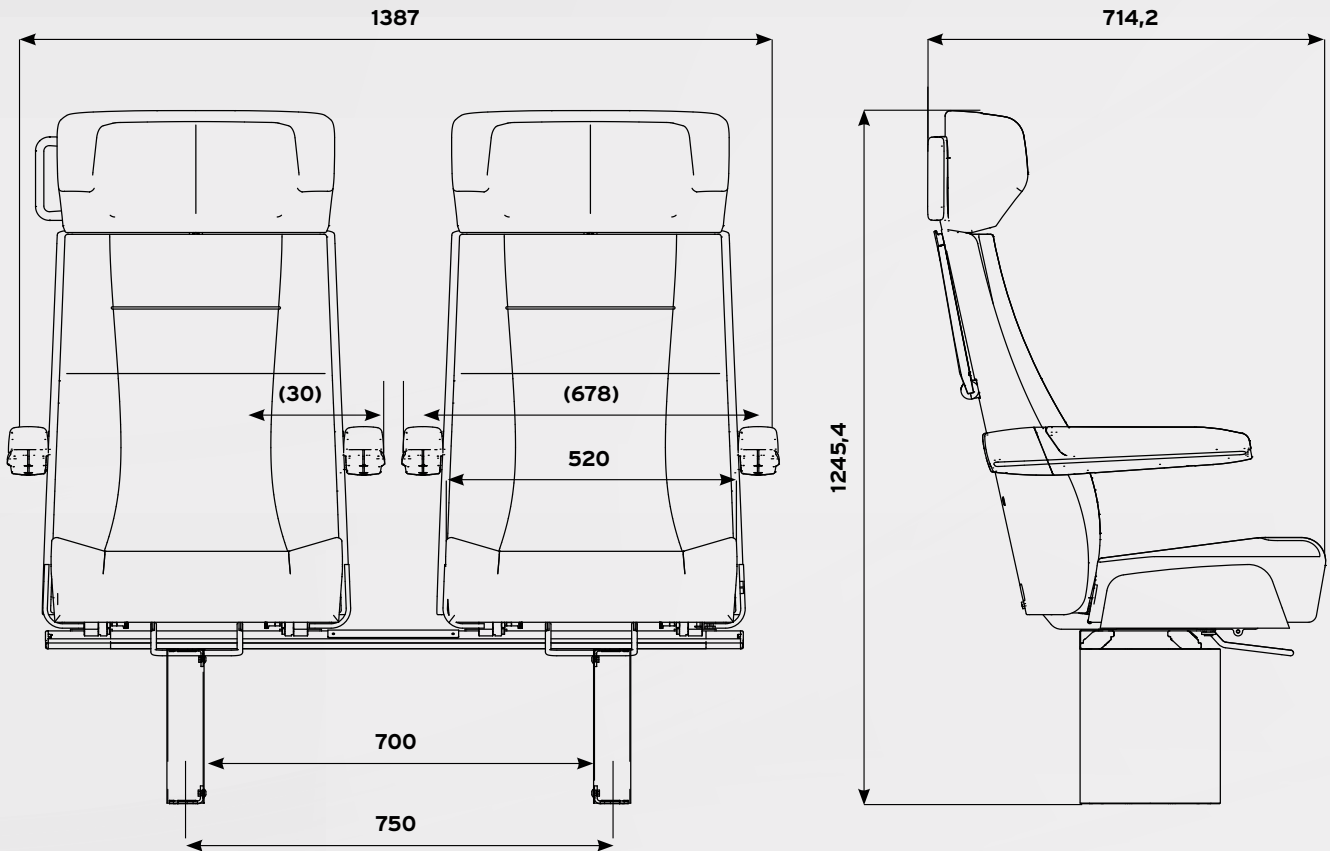
### BACK FOLDING TABLE

- optional
- with cup holde



# Lihok

## Dimensions (exemplary)



# Lihok

## Product overview

### CLASSIFICATION

|                         |                                     |
|-------------------------|-------------------------------------|
| Single seat             | <input checked="" type="checkbox"/> |
| Double seat             | <input checked="" type="checkbox"/> |
| Facing double seat      | <input type="checkbox"/>            |
| Triple seat combination | <input type="checkbox"/>            |

### DIMENSIONS

|            |                |
|------------|----------------|
| Seat width | 450 mm, 520 mm |
|------------|----------------|

### FUNCTIONS

|                                   |                                     |
|-----------------------------------|-------------------------------------|
| Fixed back rest                   | <input type="checkbox"/>            |
| Back and sitting angle adjustment | <input checked="" type="checkbox"/> |

### HANDLE

|                    |                          |
|--------------------|--------------------------|
| Handle, aisle side | <input type="checkbox"/> |
|--------------------|--------------------------|

### ARM REST

|                               |                          |
|-------------------------------|--------------------------|
| Foldable arm rest, aisle side | <input type="checkbox"/> |
| Foldable arm rest, centre     | <input type="checkbox"/> |
| Fixed arm rest, aisle side    | <input type="checkbox"/> |
| Fixed arm rest, wall side     | <input type="checkbox"/> |
| Fixed arm rest, centre        | <input type="checkbox"/> |

### ACCESSORIES

|  |                                     |
|--|-------------------------------------|
| Table with cup mold and gap for smart device | <input checked="" type="checkbox"/> |
| Fixed armrest                                | <input type="checkbox"/>            |
| Foldable armrest                             | <input type="checkbox"/>            |
| Grap handle closed                           | <input checked="" type="checkbox"/> |
| Cantilever fixation                          | <input checked="" type="checkbox"/> |
| Socket with USB                              | <input checked="" type="checkbox"/> |

### GEWICHT

|            |           |
|------------|-----------|
| Doppelsitz | ca. 50 kg |
|------------|-----------|

Compliant with legal requirements:  
**UIC 566 | EN 45545 | Gula DB**

standard  optional