

Match G2 Bahn

Regional transport |
comfortable + stylish
+ modular



Match G2

comfortable + stylish + modular

MATCH G2 is a modular passenger seating system for regional and long-distance trains.

Sophisticated in ergonomics and design, this train seat impresses with its extremely high feel-good effect for the passenger: It offers outstanding sitting comfort thanks to its ergonomically designed seat and back cushion. Then there is the high functionality of this train seat. And that is not all: With its modern and novel shape, the MATCH G2 train seat also fulfils the highest aesthetic requirements.

The cushion widths have been utilised to their optimum and fulfil the TSI-PRM standard. The headrest is a separate cushioned part and is fully upholstered, with hidden screw attachments, and offers excellent comfort for the head region.

All cushioned parts can be quickly replaced as required, and are also available in flame-retardant versions.



PRODUCT FEATURES AND BENEFITS:

- Modern, contemporary design
- Modular system
- Excellent seating comfort
- A range of varieties and first-rate optional extras

Match G2

Variants



VARIANTE COM



VARIANTE COM BACK SIDE



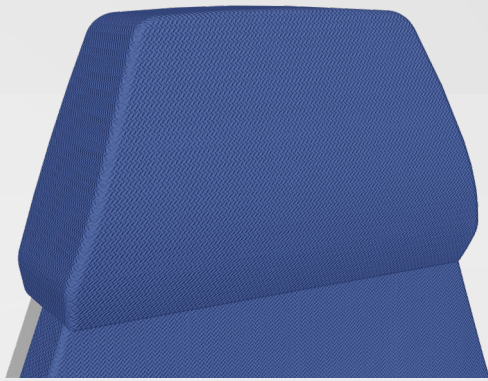
VARIANTE ECO



VARIANTE ECO BACK SIDE

Match G2

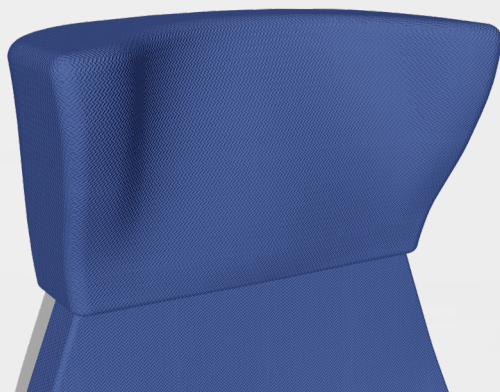
Head rest options



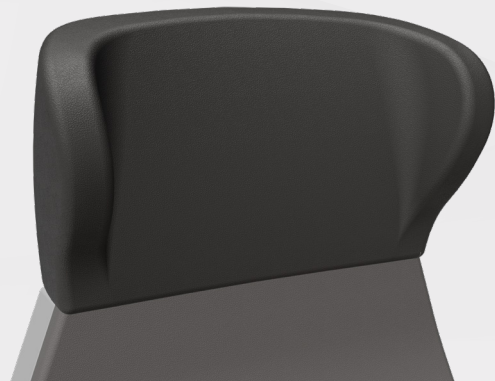
A-SHAPE



V-SHAPE



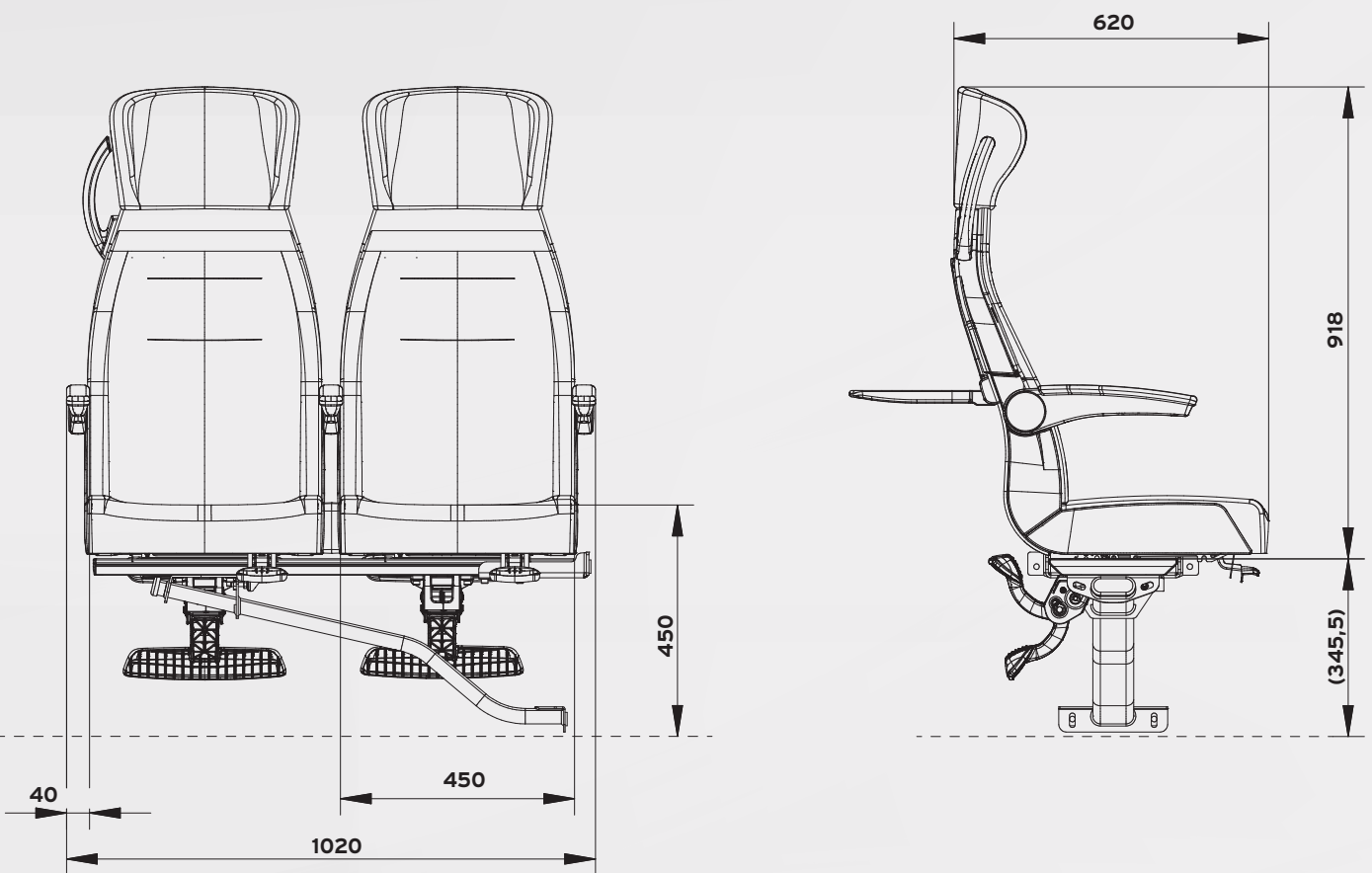
V-SHAPE WITH LARGE EARS



COMFORT

Match G2

Dimension (exemplary)



Match G2

Product overview

SEAT TYPES

| | |
|------------------------|-------------------------------------|
| Single seat | <input checked="" type="checkbox"/> |
| Double seat | <input checked="" type="checkbox"/> |
| Invalid tip-up seat | <input checked="" type="checkbox"/> |
| Back to back seating | <input type="checkbox"/> |
| Three seat combination | <input type="checkbox"/> |

DIMENSIONS

| | |
|-------------------------------|------------|
| Seat width (between armrests) | 450-500 mm |
|-------------------------------|------------|

FUNCTIONS

| | |
|---|-------------------------------------|
| Backrest fixed | <input checked="" type="checkbox"/> |
| Back- and seat cushion angle adjustment | <input type="checkbox"/> |

HEAD REST OPTIONS

| | |
|------------------------|-------------------------------------|
| A-shape | <input checked="" type="checkbox"/> |
| V-shape | <input checked="" type="checkbox"/> |
| V-shape with tall ears | <input type="checkbox"/> |
| Comfort | <input type="checkbox"/> |

ARMREST

| | |
|------------------------------|-------------------------------------|
| Foldable armrest, aisle side | <input checked="" type="checkbox"/> |
| Foldable armrest, centered | <input checked="" type="checkbox"/> |
| Fixed armrest, aisle side | <input checked="" type="checkbox"/> |
| Fixed armrest, wall side | <input checked="" type="checkbox"/> |
| Fixed armrest, centered | <input checked="" type="checkbox"/> |
| Bow type armrest, aisle side | <input checked="" type="checkbox"/> |
| Bow type armrest, wall side | <input checked="" type="checkbox"/> |

ARMREST COVER

| | |
|----------------|----------|
| Plastic pad | 30-60 mm |
| Woodden pad | 30-60 mm |
| Textile padded | 30-60 mm |

GRIP

| | |
|-------------------------------|-------------------------------------|
| TSI-PRM fitted, on aisle side | <input checked="" type="checkbox"/> |
|-------------------------------|-------------------------------------|

FURTHER ACCESSORIES

| | |
|---------------------------------------|--------------------------|
| Foldable table on back with cup space | <input type="checkbox"/> |
| Foldable table on back, extendable | <input type="checkbox"/> |
| Footrest adjustable | <input type="checkbox"/> |
| Magazine net | <input type="checkbox"/> |
| Seat width (between armrests) | <input type="checkbox"/> |
| Fixed LED reading lamp | <input type="checkbox"/> |
| Flexible LED reading lamp | <input type="checkbox"/> |
| Coat hook | <input type="checkbox"/> |
| Litter bin | <input type="checkbox"/> |
| Socket | <input type="checkbox"/> |
| USB-loading possibility | <input type="checkbox"/> |
| Cantilever fixation | <input type="checkbox"/> |

WEIGHT

| | |
|--------------------------------|-----------|
| Double seat (standard version) | ca. 33 kg |
|--------------------------------|-----------|

Compliant with legal requirements:

UIC 564 | Grula DB | EN 45545 | GOST

standard optional